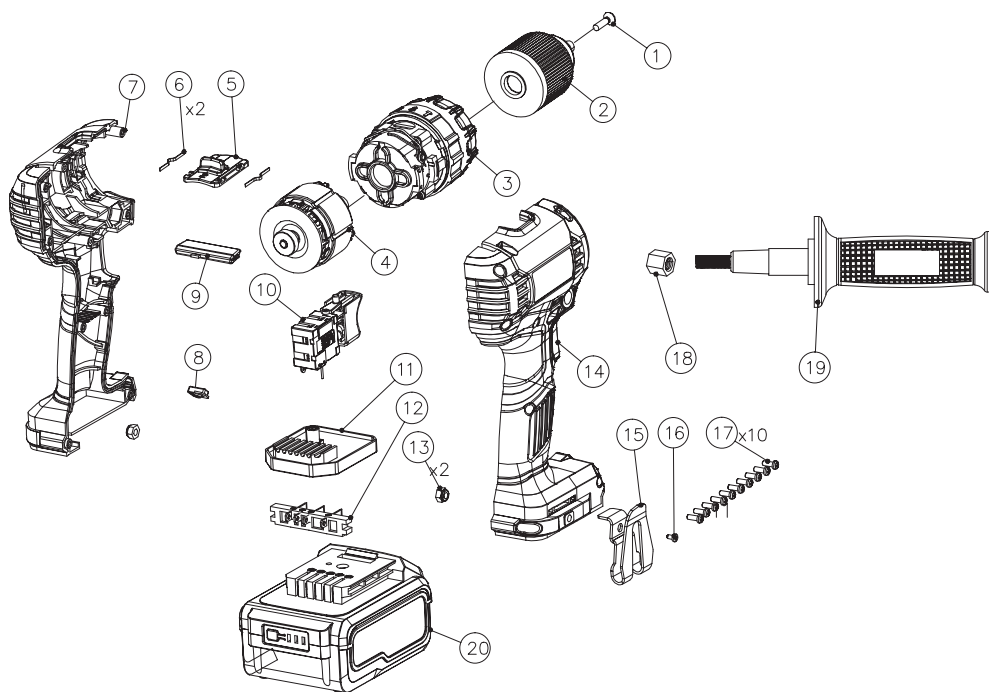


EXPLODED VIEW & SPARE PARTS LIST CORDLESS DRILL RDP-YBID20



1	Cross recessed semi-countersunk head left-hand reverse thread screw (with extra glue resistance)	M6*20-LH	1
2	drill chuck		1
3	Two-speed impact gearbox assembly		1
4	18V-4820 brushless motor		1
5	speed switch	PA6-GF30	1
6	Shift switch shrapnel	65Mn	2
7	Right case + rubber coating	PA6-GF30+TPE	1
8	Transparent lamp cover	PS	1
9	Forward and reverse push rod	PA6-GF30	1
10	Switch (Jinyuan Brushless-JC15-2)		1
11	controller		1
12	Plug socket	PA6-GF30+Phosphor Bronze Nickel Plated	1
13	Non-metal insert hexagonal locking thin nut M4		2
14	Left casing + rubber coating	PA6-GF30+TPE	1
15	Hang buckle	Q235 blacken	1
16	Cross round head PM4*12 black		1
17	Cross pan head self-tapping screws	ST3.0*12 blacken	10
18	Spherical hexagonal nut M8*13		1
19	handle		1
20	battery pack		1